

- NOTES :
- Material : Housing/Slide : High temperature thermoplastic,UL94-V0. Cover : Stainless. Hook/Spring : Stainless.
  - Finish : Terminal : Underplate : Ni over all. Solder tail : Lead Free over Ni plate. Contact Area Gold Flash Au over Ni plate. C/D PIN & GND PIN : Underplate : Ni over all. Solder tail : Lead Free over Ni plate. Contact Area Gold Flash Au over Ni plate.

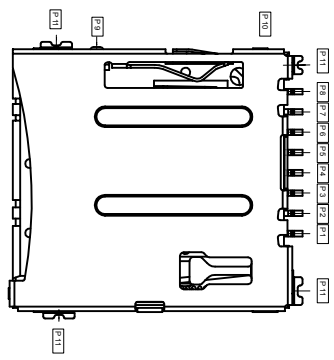
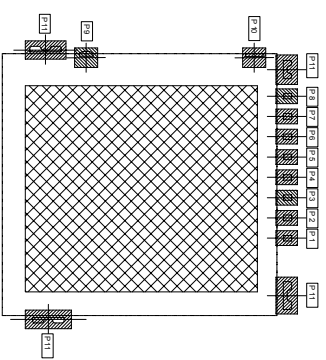
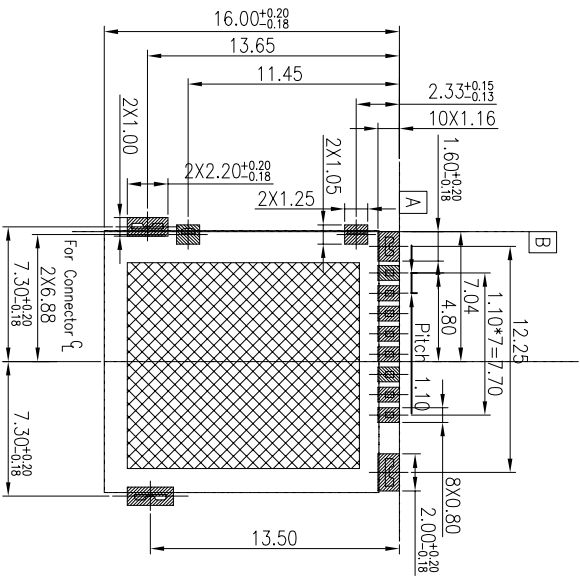
- Underplate : Ni over all. Solder tail : Au over Ni plate.
- Solder tail Coplanarity Must Be Within 0.10 mm.
- C/D : Card Detect Switch.
- GND: Ground
- Solder Tail Burr Must Be Within 0.10Max
- Signal Terminal Contact Area Will Be Smooth
- There can't be things to press and hold on the products surface

PIN NO.	NAME
01	DATE
02	CD/DAT3
03	CMD
04	VDD
05	CLK
06	VSS
07	DAT0
08	DAT1
09	C/D
10	GND
11	GND

UNITS:	mm
GENERAL TOLERANCE	
X. ±5°	0. X±0.25
X.1±2°	0. XX±0.2
X. ±1°	0. XXX±0.1

<b>CSCONN</b>	
PART NO.(INTENDED USE)	CTP11081615002
CHKD:	SK11a
DR:	Kitty

<b>CSCONN PRECISE ELECTRONICS CO.,LTD</b>		
TITLE:	T-FLASH CARD PUSH H=1.5MM 外挿式	
DWG NO.	T-FLASH CARD	
SCALE	SHEET	REV
1:1	1 OF 2	A



PCB PATTERN LAYOUT  
(GENERAL TOLERANCE:±0.05)



OPENING/CLOSE OF SWITCH

CARD UNINSERTION	CARD DETECT SWITCH	
CARD HALF INSERTION	OPEN	OPEN
CARD INSERTION	OPEN	CLOSE
N/O	CLOSE	CLOSE
 P9 P10	 P9 P10	 P9 P10

UNITS: mm	<b>CSCONN</b>		CSCONN PRECISE ELECTRONICS CO.,LTD	
GENERAL TOLERANCE	PART NO.(INTENDED USE)	TITLE: T-FLASH CARD PUSH H=1.5MM 外挿式		
X. ±5°	CTP11081615002	DWG NO. T-FLASH CARD		
X. 1±2°	APPD:	CHKD: Sk11a	SCALE	SHEET
X. ±1°	DR: Kitty		1:1	2 OF 2
				REV
				A

