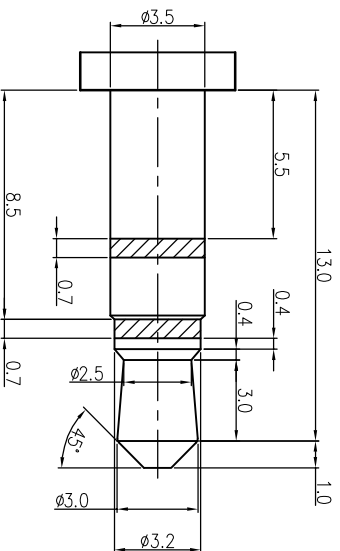
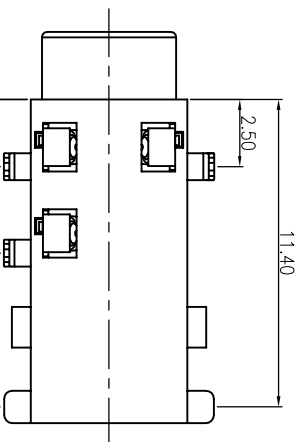
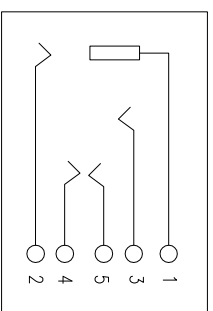


PCB LAYOUT TOP VIEW



MATE PLUG



CIRCUIT DIAGRAM

| NO. | PART NAME | QTY | MATERIAL | FINISHING |
|-----|-----------|-----|------------------------|-----------|
| ① | HOUSING | 1 | | |
| ② | TERMINAL | 1 | PHOSPHOR BRONZE T-0.20 | Black |
| ③ | TERMINAL | 1 | PHOSPHOR BRONZE T-0.20 | Ag-Plated |
| ④ | TERMINAL | 1 | PHOSPHOR BRONZE T-0.20 | Ag-Plated |
| ⑤ | TERMINAL | 2 | PHOSPHOR BRONZE T-0.20 | Ag-Plated |

CSCONN

CSCONN PRECISE ELECTRONICS CO.,LTD

| | |
|--------------------|-----------|
| UNITS: | mm |
| GENERAL TOLERANCES | |
| X. ±5° | 0.X±0.25 |
| X. ±12° | 0.XX±0.2 |
| XX. ±1° | 0.XXX±0.1 |

PART NO.(INTENDED USE)
CPJ3547

TITLE: PHONE JACK

APPD: SK11A

DWG NO. JACK

CHKD: Kitty

SCALE 1:1

DR: Kitty

SHEET 1 OF 1

REV A