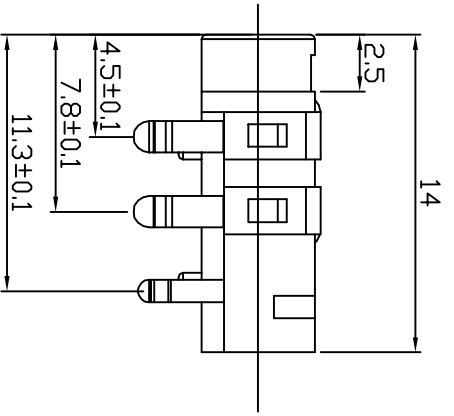
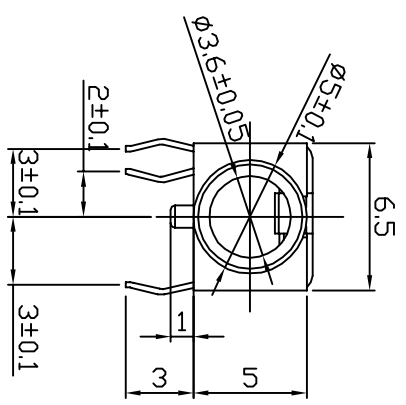
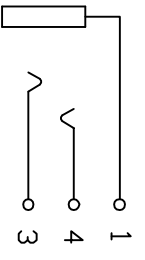


PCB LAYOUT TOP VIEW



- SPECIFICATION**
1. Rating : DC 30V 0.5A;
  2. Contact resistance:  $\leq 0.03\Omega$ ;
  3. Insulation resistance:  $\geq 100M\Omega$  (DC250V);
  4. Withstand voltage: 500VAC ;
  5. Insertion and extraction force: 3-20N;
  6. life test: 5,000 cycles.



CIRCUIT DIAGRAM

UNITS: mm		<b>CSCONN</b>		CSCONN PRECISE ELECTRONICS CO.,LTD	
GENERAL TOLERANCE		PART NO.(INTENDED USE)		TITLE:	
X. ° ±5°	0.X ±0.25	CPJ3011		PHONE JACK	
X. 1 ±2°	0.XX ±0.2	APPD:		DWG NO. JACK	
XX. ±1°	0.XXX ±0.1	CHKD: Skila		SCALE	
		DR: Kitty		1:1	
				SHEET	
				1 OF 1	
				REV	
				A	