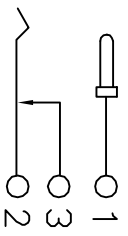
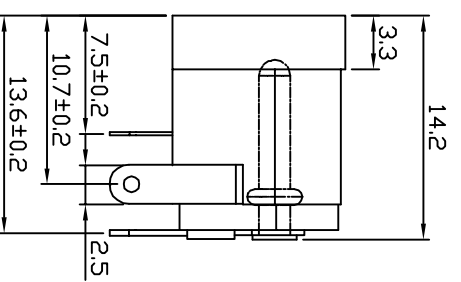
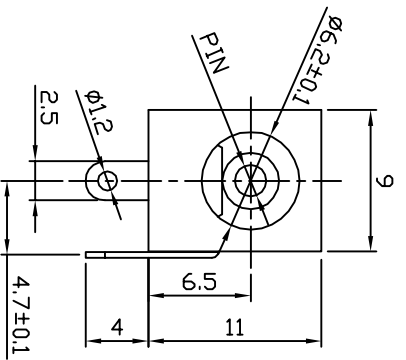
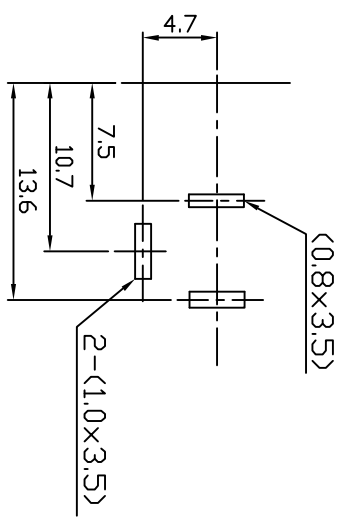


- SPECIFICATION**
1. Rating : DC 24V 5A
 2. Contact resistance: $\leq 0.03 \Omega$
 3. Insulation resistance: $\geq 100M \Omega$ (DC250V)
 4. Withstand voltage: 500VAC
 5. Insertion and extraction force: 3-20N
 6. Life test: 5,000 cycles



CIRCUIT DIAGRAM

PIN	φ1.65	φ2.0	φ2.35	φ2.5
APPD.				



PCB LAYOUT TOP VIEW

No.	PART NAME	QTY	MATERIAL (THICK, COLOR)	REMARK
⑥	HOUSING DC-0005	1	PRT (Black)	
⑤	COVER DC-0005	1	PRT (Black)	
④	PIN DC-0005	1	BRASS $\phi=2.5$	Ni-plated
③	TERMINAL DC-0005-3	1	BRASS t=0.30	Ag-Plated
②	TERMINAL DC-0005-2	1	SUS t=0.20	Ag-Plated
①	TERMINAL DC-0005-1	1	BRASS t=0.30	Ag-Plated

UNITS: mm		CSCONN		CSCONN PRECISE ELECTRONICS CO.,LTD	
GENERAL TOLERANCE		PART NO. (INTENDED USE)		TITLE: DC JACK	
X. ° ±5°	0. X±0.3	CDC005		DWG NO. JACK	
X. 1±2°	0. XX±0.2	APPD:		SCALE	
XX. ±1°	0. XXX±0.1	CHKD: Skilla		SHEET	
XXX. ±0.5°		DR: Kitty		1 OF 1	
				REV	
				A	