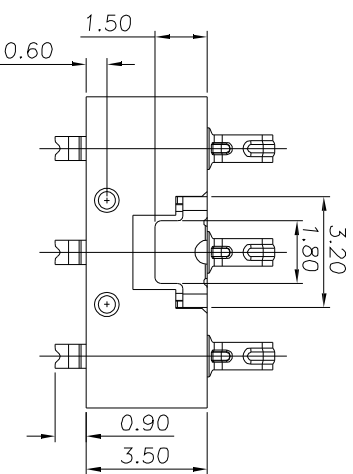


RECOMMENDED PCB LAYOUT  
TOLERANCE:(XX±0.05)

|              |       |
|--------------|-------|
| CBA300368001 | 6.80  |
| CBA300360001 | 6.00  |
| CBA300354001 | 5.40  |
| CBA300350001 | 5.00  |
| CBA300346001 | 4.60  |
| P/N          | DIM A |

- NOTES:
- 1) MATERIAL:
    - 1-1 HOUSING: THERMOPLASTIC, UL 94V-0, COLOR: BLACK
    - 1-2 CONTACT: COPPER ALLOY, T=0.15mm
    - 1-3 NAIL: COPPER ALLOY, T=0.20mm
  - 2) FINISH:
    - 2-1 CONTACT: 1u" MIN GOLD PLATING ON CONTACT AREA  
1u" MIN GOLD PLATING ON SOLDER TAILS  
50u" MIN NICKEL UNDERPLATING,
    - 2-2 NAIL: 50u" MIN NICKEL UNDERPLATING,  
100~200u" TIN OVERALL
  - 3) PRODUCT SPECIFICATIONS:
    - 3-1 VOLTAGE RATING: 250V
    - 3-2 CURRENT RATING: 2.0A
    - 3-3 INSULATION RESISTANCE: 1000MΩ OHM MIN
    - 3-3 CONTACT RESISTANCE: 30 MILLIΩ MAX
    - 3-4 OPERATION TEMPERATURE: -55° TO +125°
    - 3-5 DURABILITY: 5000 CYCLES
    - 3-6 NORMAL FORCE: 100gf MIN AT THE WORKING POSITION



A  
B  
C  
D  
E

1 2 3 4 5 6 7 8

**CSCONN**

CSCONN PRECISE ELECTRONICS CO., LTD

|                   |                         |
|-------------------|-------------------------|
| UNITS: mm         |                         |
| GENERAL TOLERANCE | PART NO. (INTENDED USE) |
| X.° ±5°           | CBA3003XX001            |
| X.1 ±2°           |                         |
| XX. ±1°           |                         |
| XXX. ±0.5°        |                         |

TITLE: BATTERY 3P 3.0MM H=4.6-6.8MM

DWG NO. BATTERY



SCALE SHEET REV  
1:1 1 OF 1 A

1 2 3 4 5 6 7 8

A  
B  
C  
D  
E