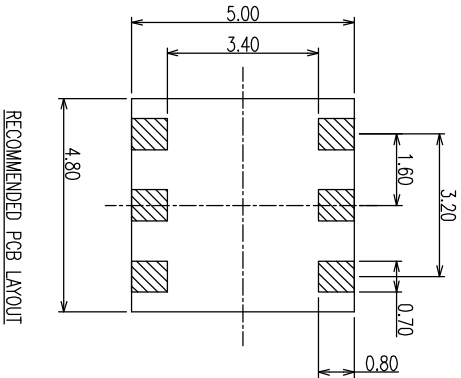
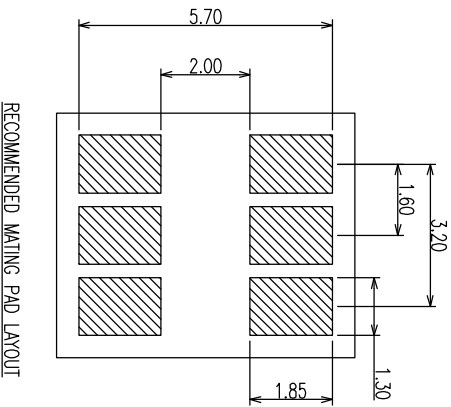
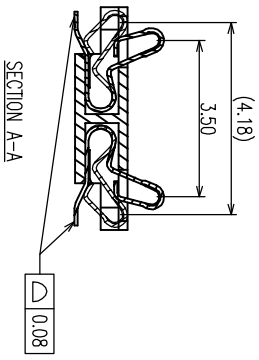


(1.20)MINIMUM WORKING POSITION  
 (1.40)NOMINAL WORKING POSITION  
 (1.60)MAX WORKING POSITION



- NOTES:
- MATERIAL:
    - Housing: High Temperature Thermoplastic UL94V-0; Color Black.
    - Terminal: Copper Alloy.
  - SPECIALITY:
    - Rated current: 0.5A
    - Rated voltage: 30V
    - Contact Resistance: 50mΩ MAX
    - Insulation Resistance: 100MΩ MIN 100V DC
    - Dielectric withstanding voltage: 100V AC.
    - Solder ability: 235±5°C, 5±0.5s.
    - Durability: 5000 Cycles Min.
    - Operating condition: Temperature: -30°C~+80°C; Humidity: 80% R.H MAX

UNITS: mm		<b>CSCONN</b>		CSCONN PRECISE ELECTRONICS CO.,LTD	
GENERAL TOLERANCE		PART NO.(INTENDED USE)		TITLE:	
X ± 0.15°	0.1X±0.25	CHA16061202001		BATTERY GP 1.5MM H=1.2MM DOUBLE ROW	
X ± 0.2°	0.1X±0.2	APPD:		DWG NO.	
X ± 0.1°	0.1X±0.1	CHKD: Skila		BATTERY	
		DR: Kitty		SCALE SHEET REV	
				1:1 1 OF 1 A	